

PFAFF®

coverlock 4.0

Ersatzteile-Liste
List of spare parts
Liste des pièces détachées
Catalogo pezzi staccati
Lista de piezas de repuesto



Please note that on disposal, this product must be safely recycled in accordance with relevant National legislation relating to electrical/electronic products. If in doubt please contact your retailer for guidance.



Bitte beachten Sie, dass hinsichtlich der Entsorgung dieses Produkts, vorschriftsmäßig entsprechend der gültigen nationalen Gesetzgebung für elektrische/elektronische Produkte, recycelt werden muss. Bei Zweifel setzen Sie sich bitte mit Ihrem Fachhändler in Verbindung.



Veuillez noter qu'en cas de destruction, ce produit doit bénéficier d'un recyclage sécurisé, conforme à la législation nationale applicable aux produits électriques/électroniques. En cas de doute, veuillez contacter votre distributeur agréé.

- All casted parts within our products are marked with name of material if allowed by size.
- All molded plastic parts within our products are marked with name of material if allowed by size.

Nicht nummerierte Teile im Katalog werden nicht geliefert.

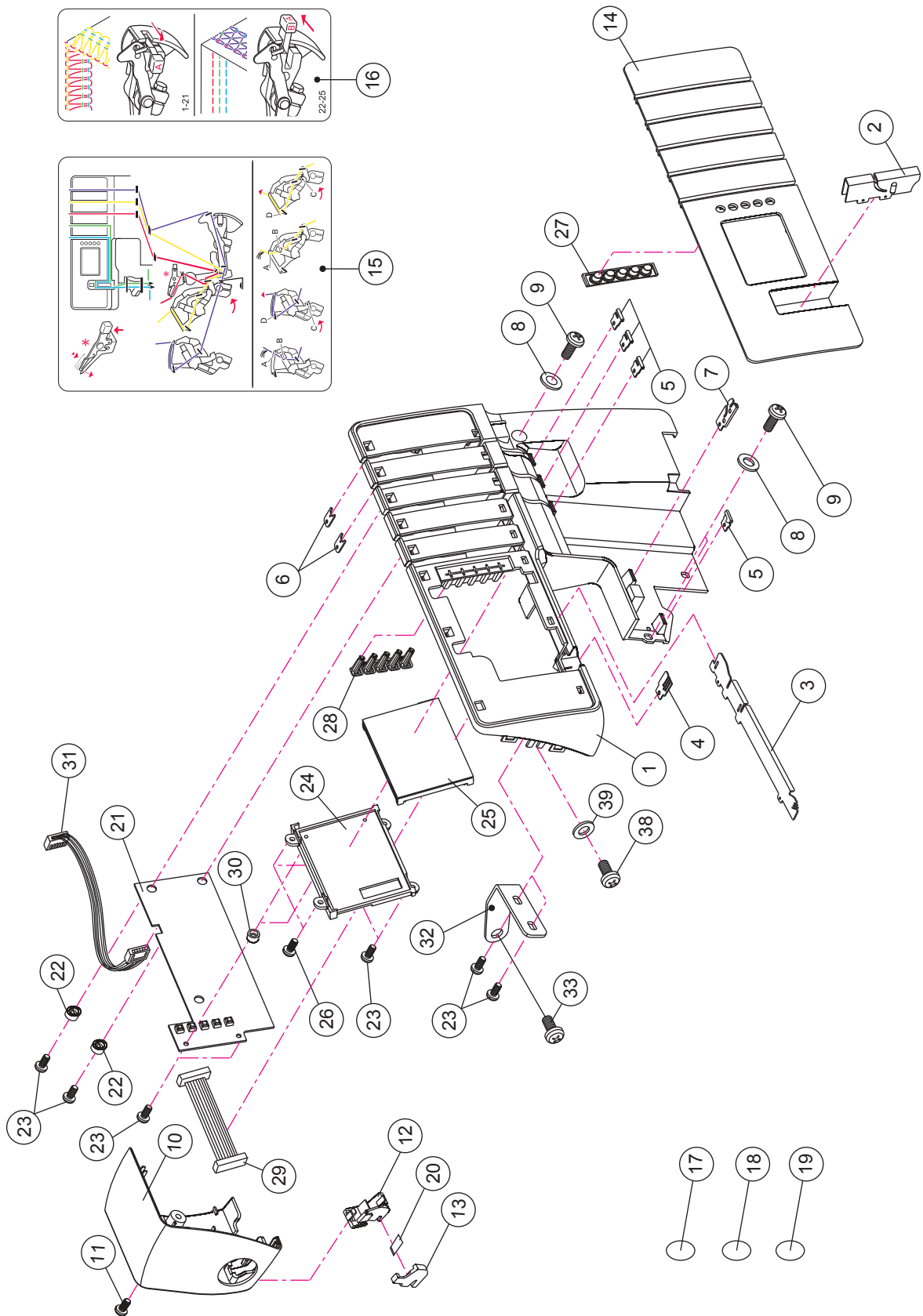
The parts mentioned without number in the parts list are not available.

Les pièces qui ne sont pas numérotées dans la liste de pièces détachées ne peuvent être livrées.

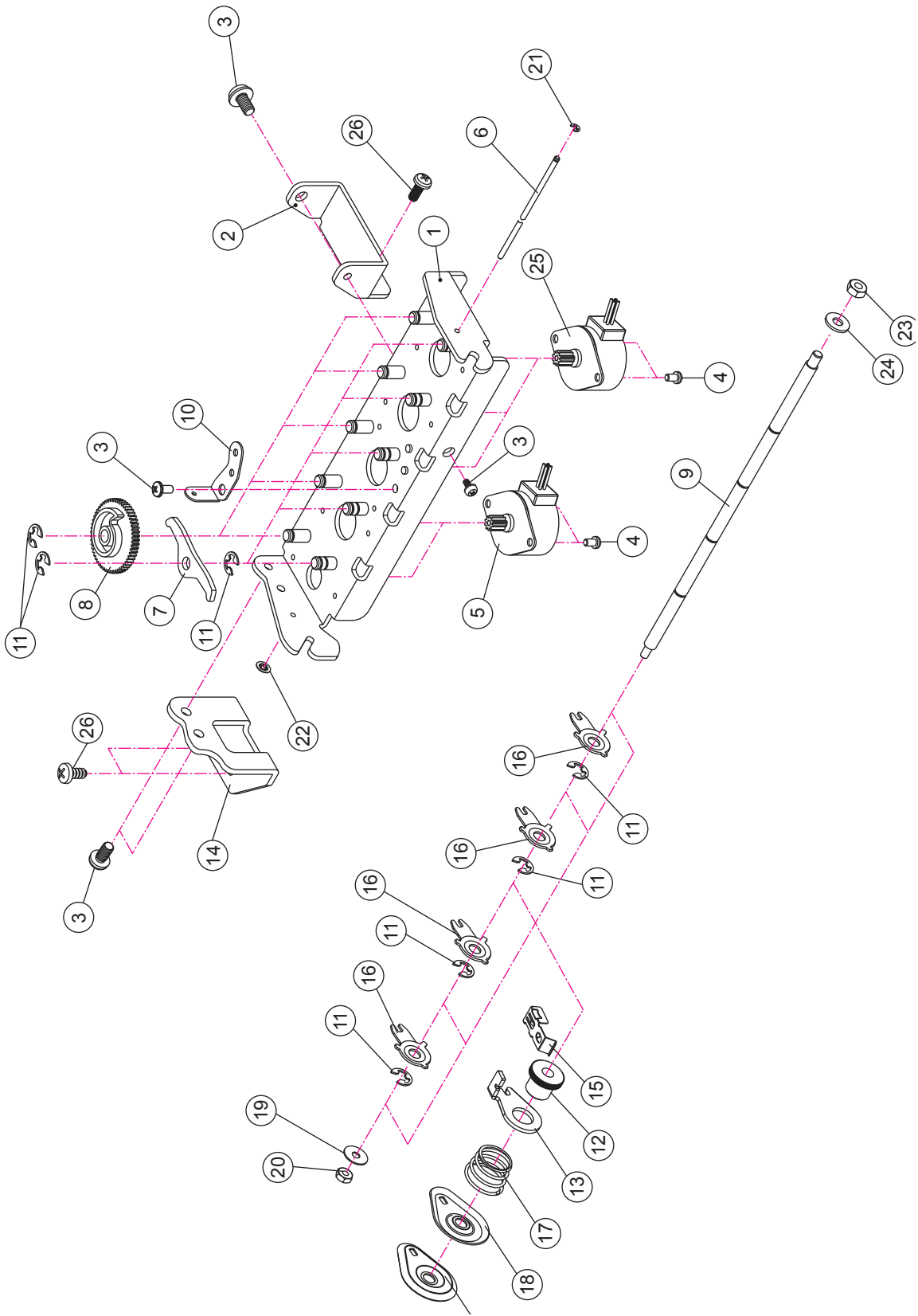
Pezzi non catalogati non sono disponibili.

Las piezas de repuesto sin número en esta lista no se entregarán.

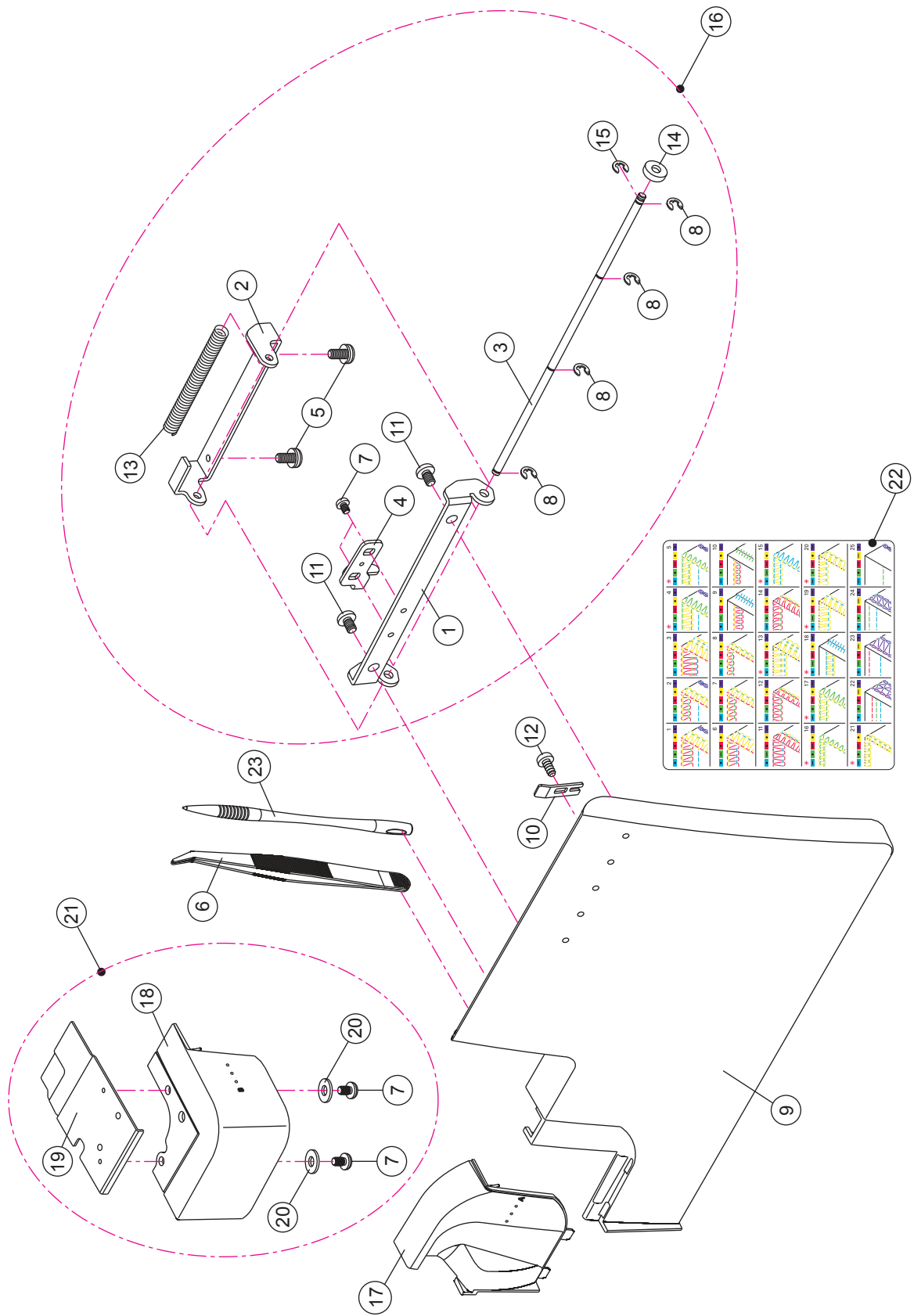
A



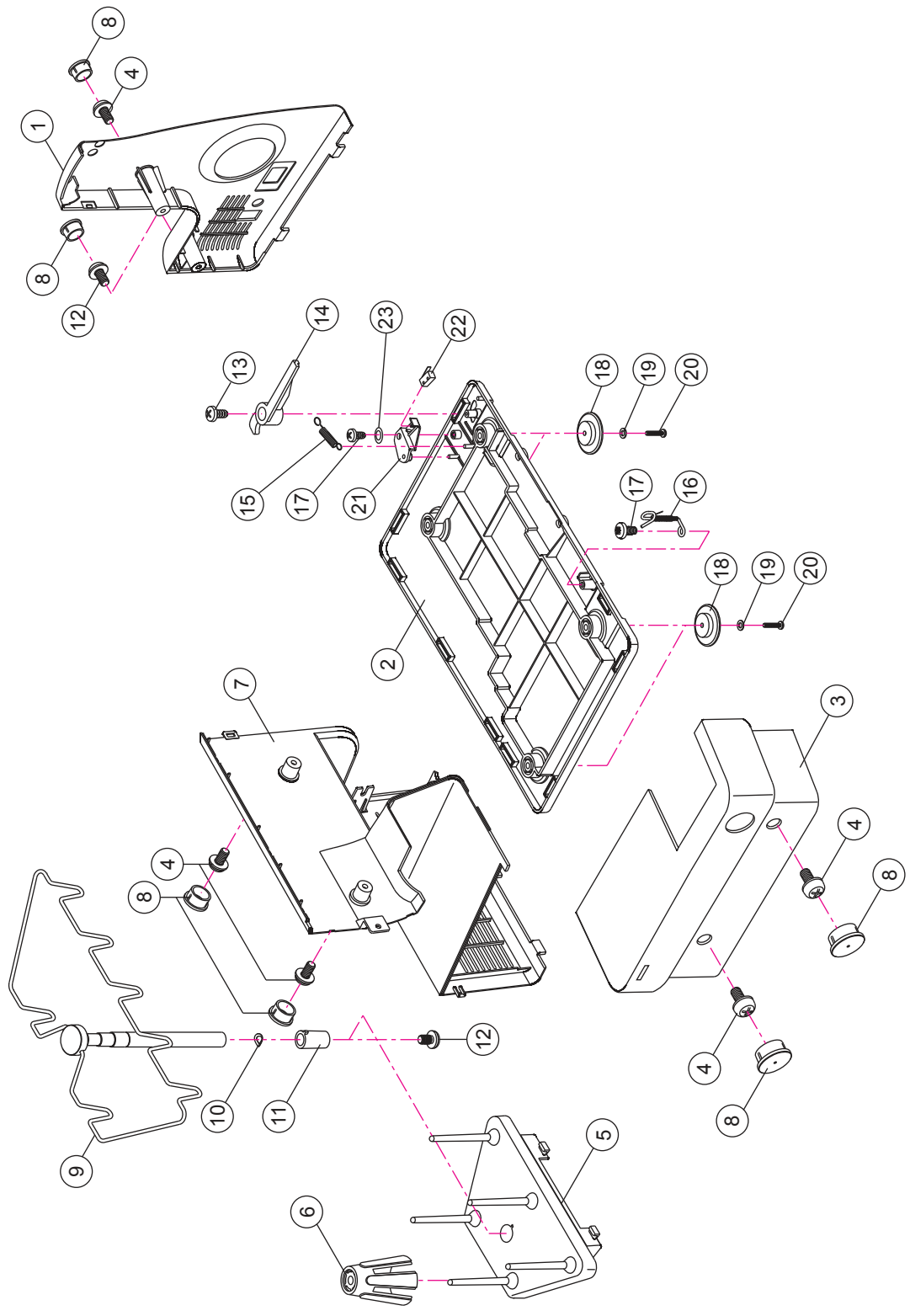
| NO. | PART NO. | DESCRIPTION |
|-----|-----------|--|
| 1 | 416376101 | FRONT PANEL SET (NO. 1.2.3.4.5.6.7.14.15.16.17.18.19.26.32 INCLUDED) |
| 2 | N/S | THREAD TAKE-UP COVER |
| 3 | N/S | THREAD GUIDE (B) |
| 4 | N/S | THREAD GUIDE (C) |
| 5 | N/S | THREAD GUIDE (F) |
| 6 | N/S | THREAD GUIDE (D) |
| 7 | N/S | LOWER LOOPER THREAD GUIDE (A) |
| 8 | N/S | WASHER |
| 9 | N/S | SET SCREW |
| 10 | 416359201 | BULB COVER |
| 11 | N/S | SET SCREW |
| 12 | 416373401 | KNIFE HOLDER |
| 13 | 416373501 | KNIFE HOLDER CAP |
| 14 | 416378301 | TENSION COVER SET (NO. 2.14 INCLUDED) |
| 15 | 416378401 | THREAD GUIDE STICKER |
| 16 | 416378501 | CLUTCH LEVER STICKER |
| 17 | N/S | COLOR STICKER (GREEN) |
| 18 | N/S | COLOR STICKER (BLUE) |
| 19 | N/S | COLOR STICKER (PURPLE) |
| 20 | 416359601 | THREAD CUTTING |
| 21 | 416376801 | ELECTRIC MAIN BOARD |
| 22 | 416376901 | MAIN BOARD CAP |
| 23 | 416379001 | SET SCREW |
| 24 | 416377001 | LCD BOARD HOLDER |
| 25 | 416377101 | LC DISPLAY WITH LCD BOARD |
| 26 | 416377401 | SET SCREW |
| 27 | 416378601 | RUBBER BUTTON |
| 28 | 416378701 | RUBBER BUTTON HOLDER |
| 29 | 416378801 | WIRE |
| 30 | 416378901 | MAIN BOARD WASHER |
| 31 | 416390901 | PCB CABLE |
| 32 | N/S | FRONT COVER FIXING BOARD |
| 33 | N/S | SET SCREW |



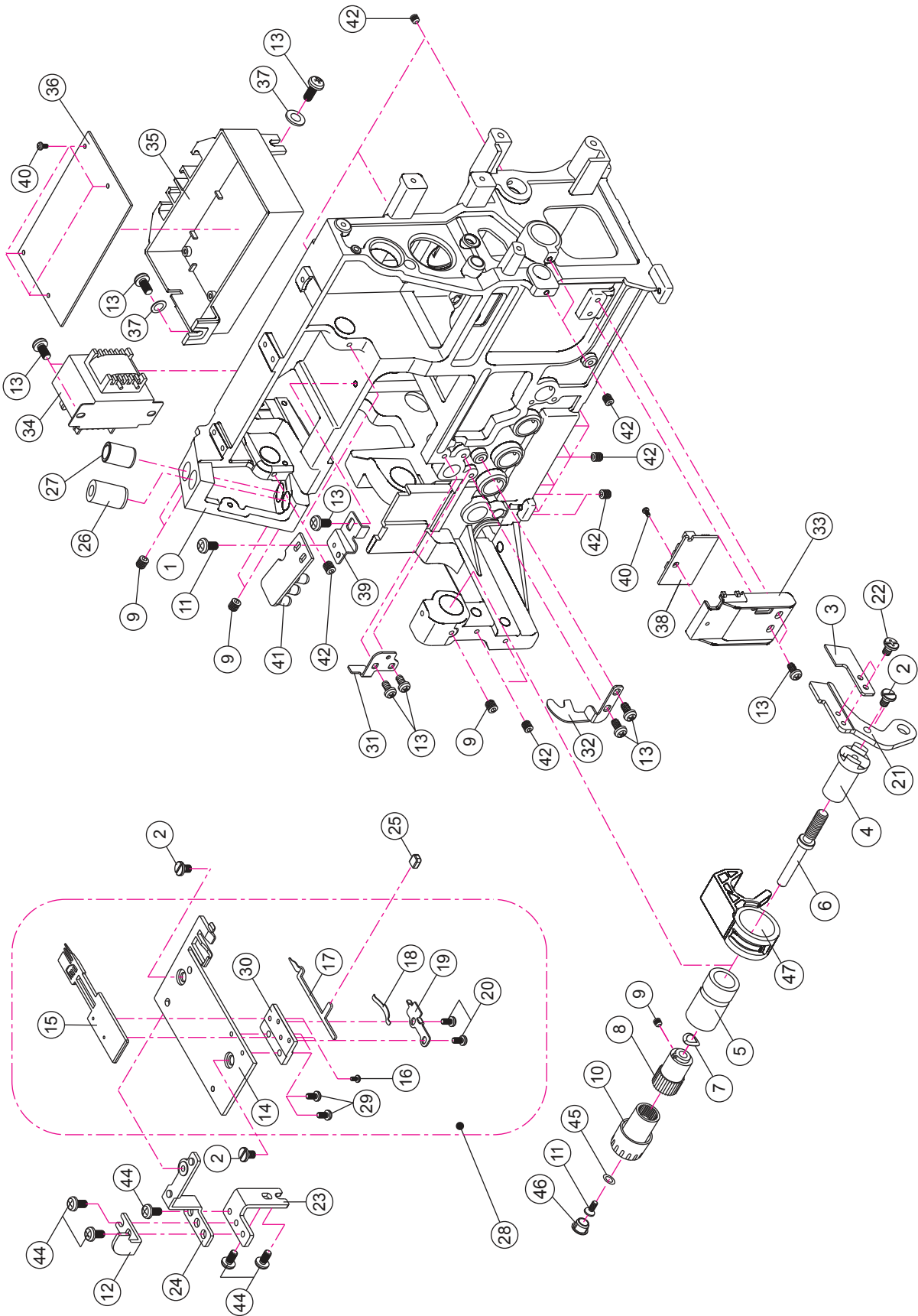
| NO. | PART NO. | DESCRIPTION |
|-----|-----------|-----------------------------------|
| 1 | N/S | TENSION CAM HOLDER SET |
| 2 | N/S | TENSION CAM HOLDER PLATE |
| 3 | N/S | SET SCREW |
| 4 | N/S | SET SCREW |
| 5 | 416379101 | STEPIING MOTOR |
| 6 | N/S | TENSION DISC LOCATED SHAFT |
| 7 | 416379201 | TENSION LEVER ARM |
| 8 | 416379301 | TENSION CAM A |
| 9 | N/S | TENSION DISC MAIN SHAFT |
| 10 | N/S | TENSION DISC LOCATED SHAFT HOLDER |
| 11 | N/S | E RING |
| 12 | 416379401 | TENSION REGULATE SCREW |
| 13 | 416379501 | TENSION REGULATE NUT A |
| 14 | N/S | TENSION CAM HOLDER PLATE |
| 15 | 416379601 | TENSION REGULATE SCREW PRESSER |
| 16 | 416379701 | TENSION DISC LOCATING HOLDER |
| 17 | 416359801 | TENSION SPRING |
| 18 | 416359901 | TENSION DISC |
| 19 | N/S | WASHER |
| 20 | N/S | SET SCREW |
| 21 | N/S | E RING |
| 22 | N/S | SET SCREW |
| 23 | N/S | SET SCREW |
| 24 | N/S | WASHER |
| 25 | 416391001 | STEPPING MOTOR |



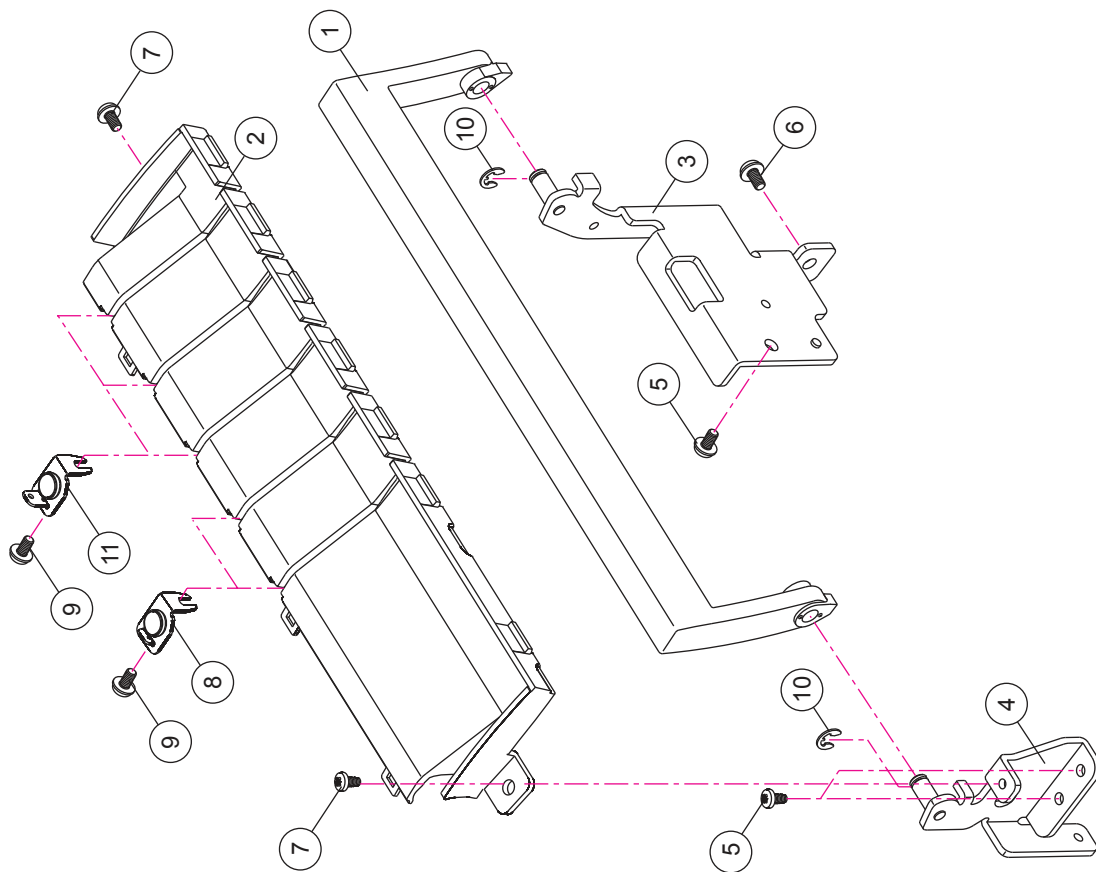
| NO. | PART NO. | DESCRIPTION |
|-----|-----------|---|
| 1 | N/S | FRONT COVER HINGE (A) |
| 2 | N/S | FRONT COVER HINGE (B) |
| 3 | N/S | FRONT COVER HINGE SHAFT |
| 4 | N/S | HINGE LOCATING BOARD |
| 5 | N/S | SET SCREW |
| 6 | 416015401 | TWEEZERS |
| 7 | N/S | SET SCREW |
| 8 | N/S | E RING |
| 9 | 416360001 | FRONT COVER |
| 10 | 416377301 | FRONT COVER SETTING PLATE |
| 11 | N/S | SET SCREW |
| 12 | 416377401 | SET SCREW |
| 13 | N/S | FRONT COVER HINGE SPRING |
| 14 | N/S | CONNECTING PRESS PLATE |
| 15 | N/S | E RING |
| 16 | 416374301 | FRONT COVER HINGE SET (NO.1.2.3.4.5.6.7.8.11.13.14.15 INCLUDED) |
| 17 | 416360101 | CUTTER COVER (A) |
| 18 | N/S | CUTTER COVER (B) |
| 19 | N/S | CUTTER COVER(B) SET (NO.18.19.20.21 INCLUDED) |
| 20 | N/S | WASHER |
| 21 | 416360201 | CUTTER COVER (B) SET |
| 22 | 416379801 | STITCH STICKER |
| 23 | 412693401 | STYLUS |



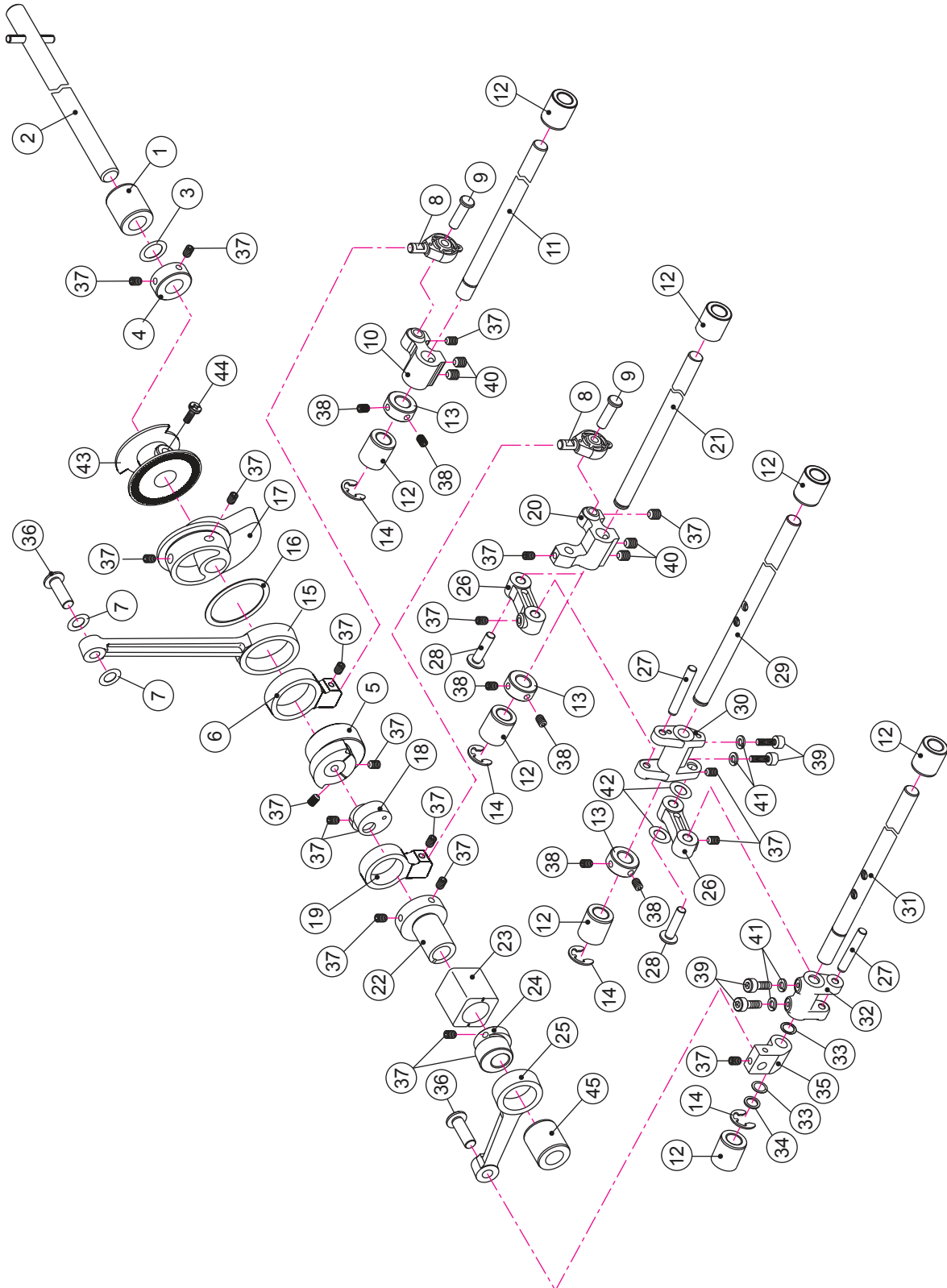
| NO. | PART NO. | DESCRIPTION |
|-----|-----------|--------------------------------|
| 1 | 416379901 | SIDE COVER |
| 2 | 416360401 | BASE PLATE |
| 3 | 416380001 | FLAT BED EXTENSION |
| 4 | N/S | SET SCREW |
| 5 | 416360601 | SPOOL STAND |
| 6 | 416360701 | CONE HOLDER |
| 7 | 416360801 | BACK COVER |
| 8 | 416360901 | SCREW CAP |
| 9 | 416361001 | TELESCOPIC THREAD STAND |
| 10 | N/S | WAVE WASHER |
| 11 | 416361101 | EXTENSION BAR SETTING |
| 12 | N/S | SET SCREW |
| 13 | 416377401 | SET SCREW |
| 14 | 416361201 | MICRO SWITCH CONTRACTOR SPRING |
| 15 | 416361301 | SPRING |
| 16 | 416361401 | CHAIN LOOPER THREAD GUIDE SET |
| 17 | N/S | SET SCREW |
| 18 | 416361501 | RUBBER |
| 19 | N/S | WASHER |
| 20 | N/S | SET SCREW |
| 21 | 416380101 | MICRO SWITCH HOLDER |
| 22 | 416380201 | MICRO SWITH |
| 23 | N/S | WASHER |



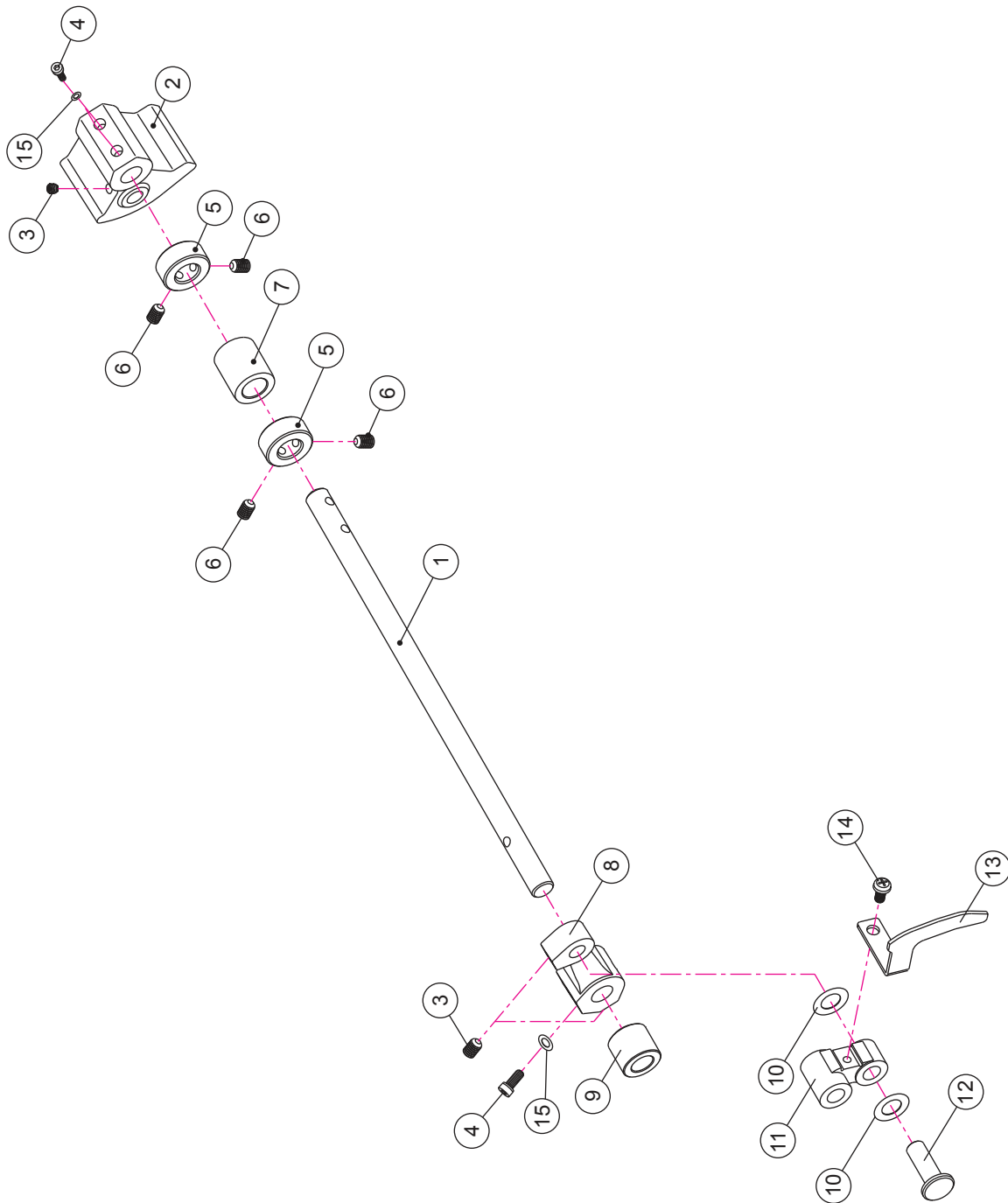
| NO. | PART NO. | DESCRIPTION |
|-----|------------------|--|
| 1 | N/S | MACHINE FRAME |
| 2 | 416427301 | SET SCREW |
| 3 | 416361601 | LOWER CUTTER |
| 4 | 416361701 | LOWER CUTTER HOLDER |
| 5 | N/S | LOWER CUTTER HOLDER BUSHING |
| 6 | N/S | CUTTING WIDTH KNOB SHAFT |
| 7 | N/S | WAVE WASHER |
| 8 | N/S | CUTTING WIDTH KNOB |
| 9 | 416377201 | SET SCREW |
| 10 | 416361801 | CUTTING WIDTH DIAL |
| 11 | 416377601 | SET SCREW |
| 12 | N/S | FRONT FEED DOG GUIDE BOARD |
| 13 | N/S | SET SCREW |
| 14 | N/S | STITCH PLATE |
| 15 | N/S | FIXED LEVER |
| 16 | N/S | SET SCREW |
| 17 | 416361901 | MOVING LEVER |
| 18 | 416362001 | LOCATING SPRING |
| 19 | N/S | MOVING LEVER HOLDER |
| 20 | N/S | SET SCREW |
| 21 | 416362101 | LOWER CUTTER SUPPORT |
| 22 | N/S | SET SCREW |
| 23 | N/S | NEEDLE PLATE LOCATING BOARD SUPPORT |
| 24 | N/S | NEEDLE PLATE LOCATING BOARD |
| 25 | 416362201 | STITCH FINGER LEVER |
| 26 | 416377701 | NEEDLE BAR BUSHING |
| 27 | N/S | PRESSER BAR BUSHING |
| 28 | 416362301 | STITCH PLATE SET (NO. 14.15.16.17.18.19.20.29.30 INCLUDED) |
| 29 | N/S | SET SCREW |
| 30 | N/S | FIXED BOARD |
| 31 | N/S | FEED DOG HOLDER GUIDE BOARD (REAR) |
| 32 | N/S | FEED DOG HOLDER GUIDE BOARD (FRONT) |
| 33 | 416380301 | PHOTO INTERRUPTER BOARD |
| 34 | 416380401 | TRANSFORMER (115V) |
| 34 | 416391201 | TRANSFORMER (230V) |
| 35 | N/S | POWER PC BOARD BOX |
| 36 | 416380501 | POWER PC BOARD (120 VOLT) |
| 36 | 416391301 | POWER PC BOARD (220 VOLT) |
| 37 | N/S | WASHER |
| 38 | 416380601 | PHOTO INTERRUPTER BOARD |
| 39 | N/S | LED PC BOARD HOLDER B |
| 41 | 416377401 | SET SCREW |
| 42 | 416380701 | LED PC BOARD |
| 43 | N/S | SET SCREW |



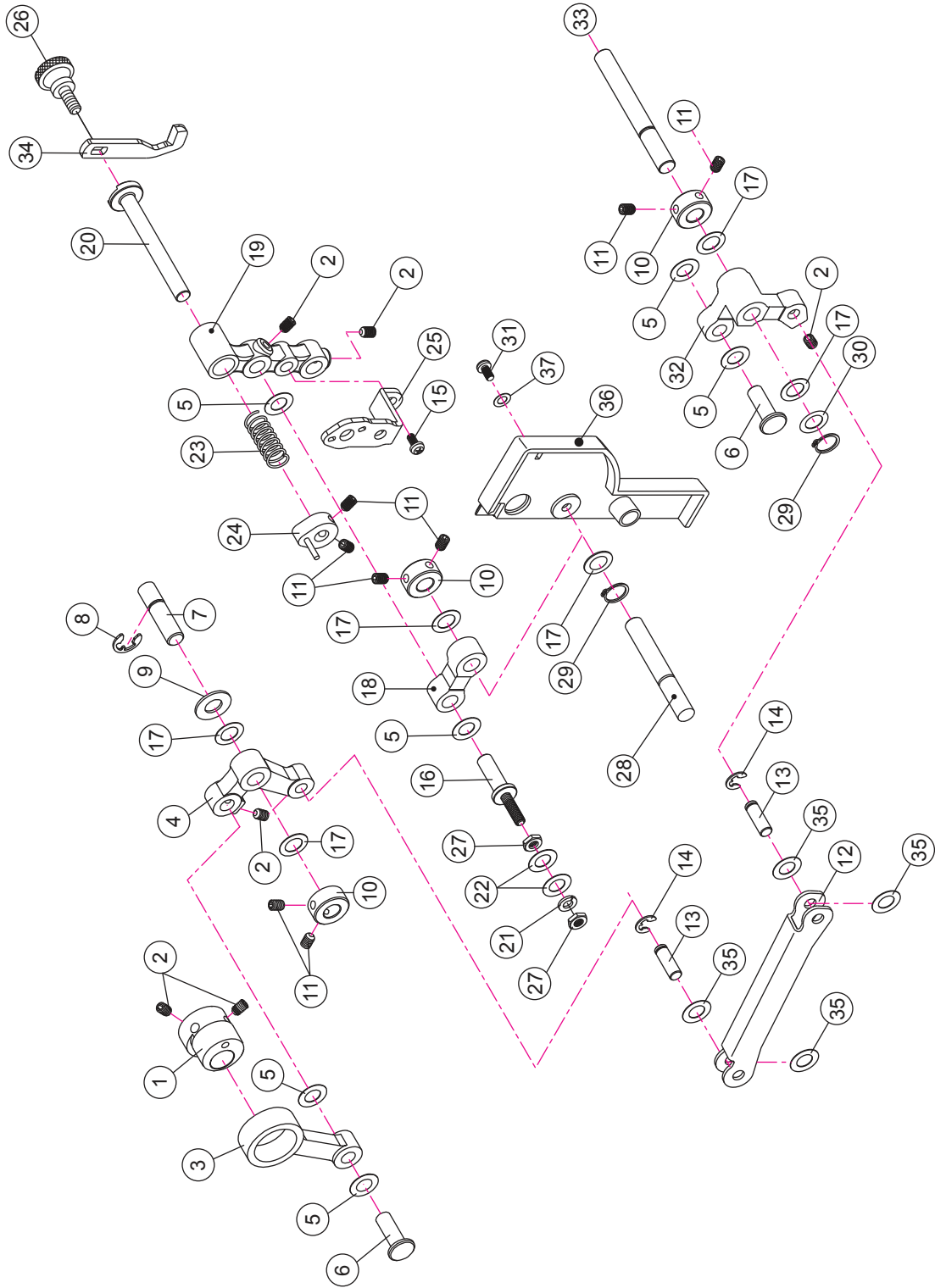
| NO. | PART NO. | DESCRIPTION |
|-----|-----------|-------------------------|
| 1 | 416362401 | HANDLE |
| 2 | 416380801 | TOP COVER |
| 3 | 416362601 | HANDLE SUPPORTER SET(R) |
| 4 | 416362701 | HANDLE SUPPORTER SET(L) |
| 5 | N/S | SET SCREW |
| 6 | N/S | SET SCREW |
| 7 | N/S | SET SCREW |
| 8 | 416362801 | THREAD GUIDE PLATE |
| 9 | 416377401 | SET SCREW |
| 10 | N/S | E RING |



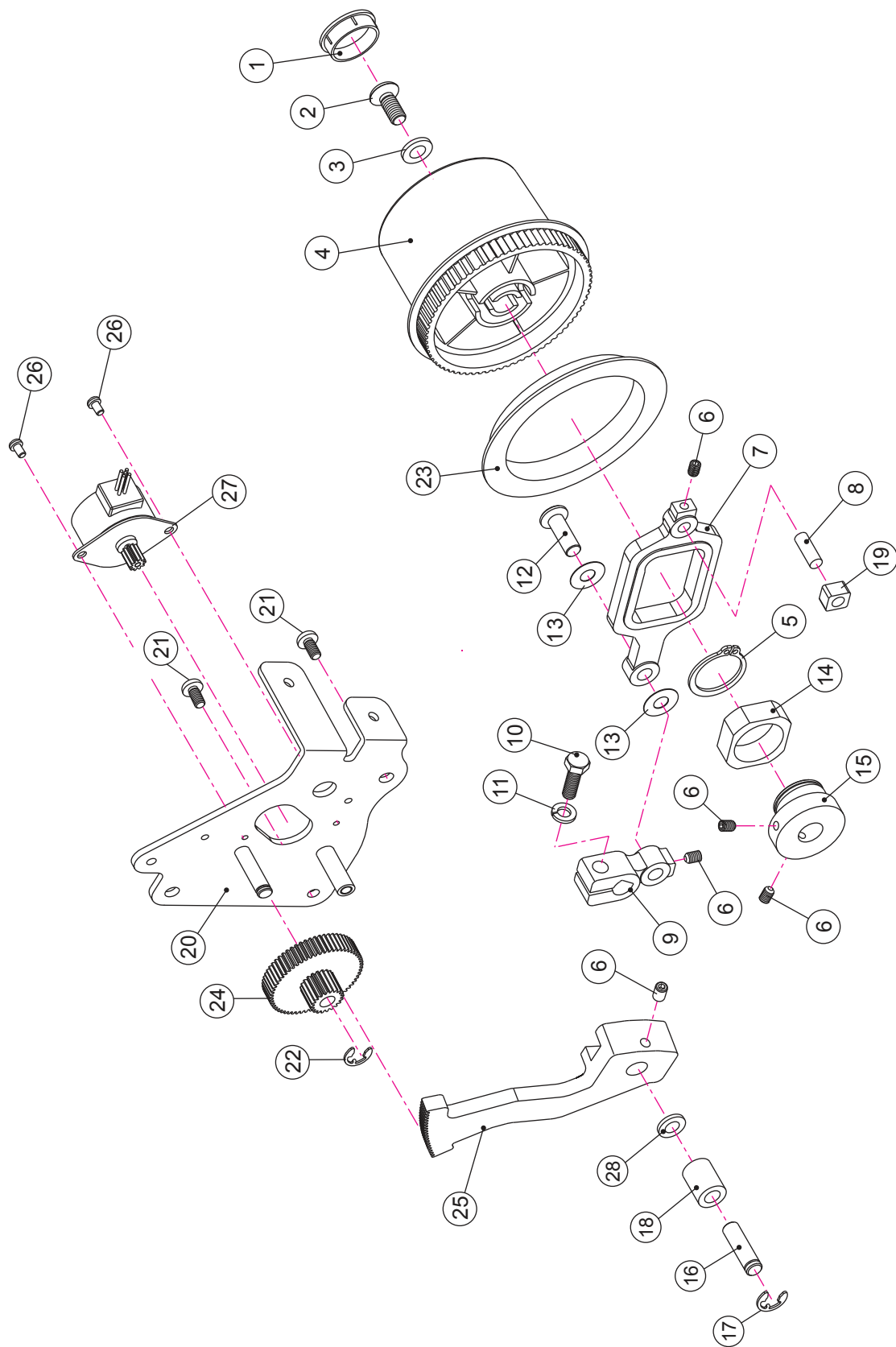
| NO. | PART NO. | DESCRIPTION |
|-----|-----------|--------------------------------|
| 1 | 416362901 | MAIN SHAFT BUSHING |
| 2 | N/S | MAIN SHAFT SET |
| 3 | N/S | WASHER |
| 4 | N/S | SETTING COLLAR |
| 5 | 416363101 | LOOPER CAM (A) |
| 6 | 416363201 | LOOPER LINK |
| 7 | N/S | NUT |
| 8 | N/S | BEARING |
| 9 | N/S | LOOPER SHAFT LINK PIN |
| 10 | N/S | LOOPER SHAFT LINK |
| 11 | N/S | UPPER LOOPER SHAFT |
| 12 | 416363001 | LOOPER SHAFT BUSHING |
| 13 | N/S | SETTING COLLAR |
| 14 | N/S | E RING |
| 15 | 416363301 | NEEDLE BAR CONNECTING BAR |
| 16 | 416363401 | WASHER |
| 17 | 416363501 | NEEDLE BAR CAM |
| 18 | 416363601 | LOWER LOOPER CAM |
| 19 | 416363701 | LOOPER LINK (B) |
| 20 | N/S | LOOPER SHAFT LINK |
| 21 | N/S | COVER STITCH DRIVING SHAFT |
| 22 | 416363801 | FEED DOG CAM |
| 23 | 416363901 | FEED DOG SUPPORTER SLIDE BLOCK |
| 24 | 416364001 | COVER STITCH LOOPER CAM |
| 25 | N/S | COVER STITCH LINK |
| 26 | N/S | WAVER LINK BAR |
| 27 | N/S | WAVER LINK BAR PIN (B) |
| 28 | N/S | WAVER LINK BAR PIN (A) |
| 29 | N/S | LOWER LOOPER SHAFT |
| 30 | N/S | LOWER LOOPER SHAFT LINK (B) |
| 31 | N/S | COVER STITCH SHAFT |
| 32 | N/S | WAVER STITCH SHAKING ARM |
| 33 | N/S | WASHER |
| 34 | N/S | WASHER |
| 35 | N/S | SHAFT DRIVING SUPPORT |
| 36 | N/S | FEED DOG LINK PIN (B) |
| 37 | N/S | SET SCREW |
| 38 | 416377201 | SET SCREW |
| 39 | N/S | SET SCREW |
| 40 | N/S | SET SCREW |
| 41 | N/S | WASHER |
| 42 | N/S | WASHER |
| 43 | N/S | NEEDLE UP WHEEL |
| 44 | N/S | SET SCREW |
| 45 | 416380901 | MAIN SHAFT BUSHING (B) |



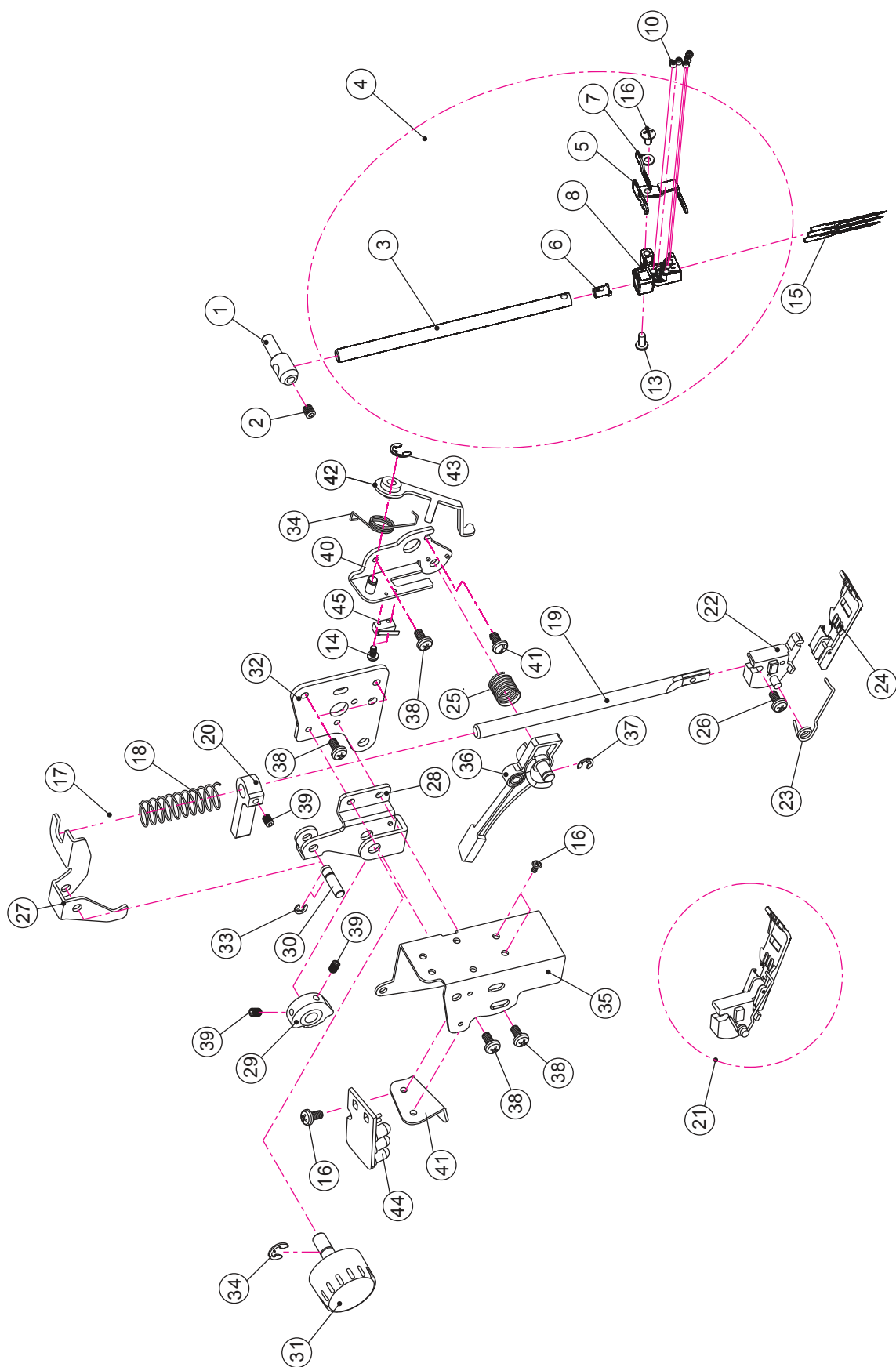
| NO. | PART NO. | DESCRIPTION |
|-----|-----------|---------------------------------|
| 1 | N/S | NEEDLE BAR LINK SHAFT |
| 2 | N/S | NEEDLE BAR CRANK (R) |
| 3 | N/S | SET SCREW |
| 4 | N/S | SET SCREW |
| 5 | N/S | SETTING COLLAR |
| 6 | 416377201 | SET SCREW |
| 7 | 416363001 | LOOPER SHAFT BUSHING |
| 8 | N/S | NEEDLE BAR CRANK (L) |
| 9 | N/S | LOOPER SHAFT BUSHING |
| 10 | N/S | WASHER |
| 11 | N/S | NEEDLE BAR CONNECTING ARM |
| 12 | N/S | FEED DRIVE LINK PIN (B) |
| 13 | 416377801 | NEEDLE BAR THREAD TAKE-UP LEVER |
| 14 | 416377601 | SET SCREW |
| 15 | N/S | WASHER |



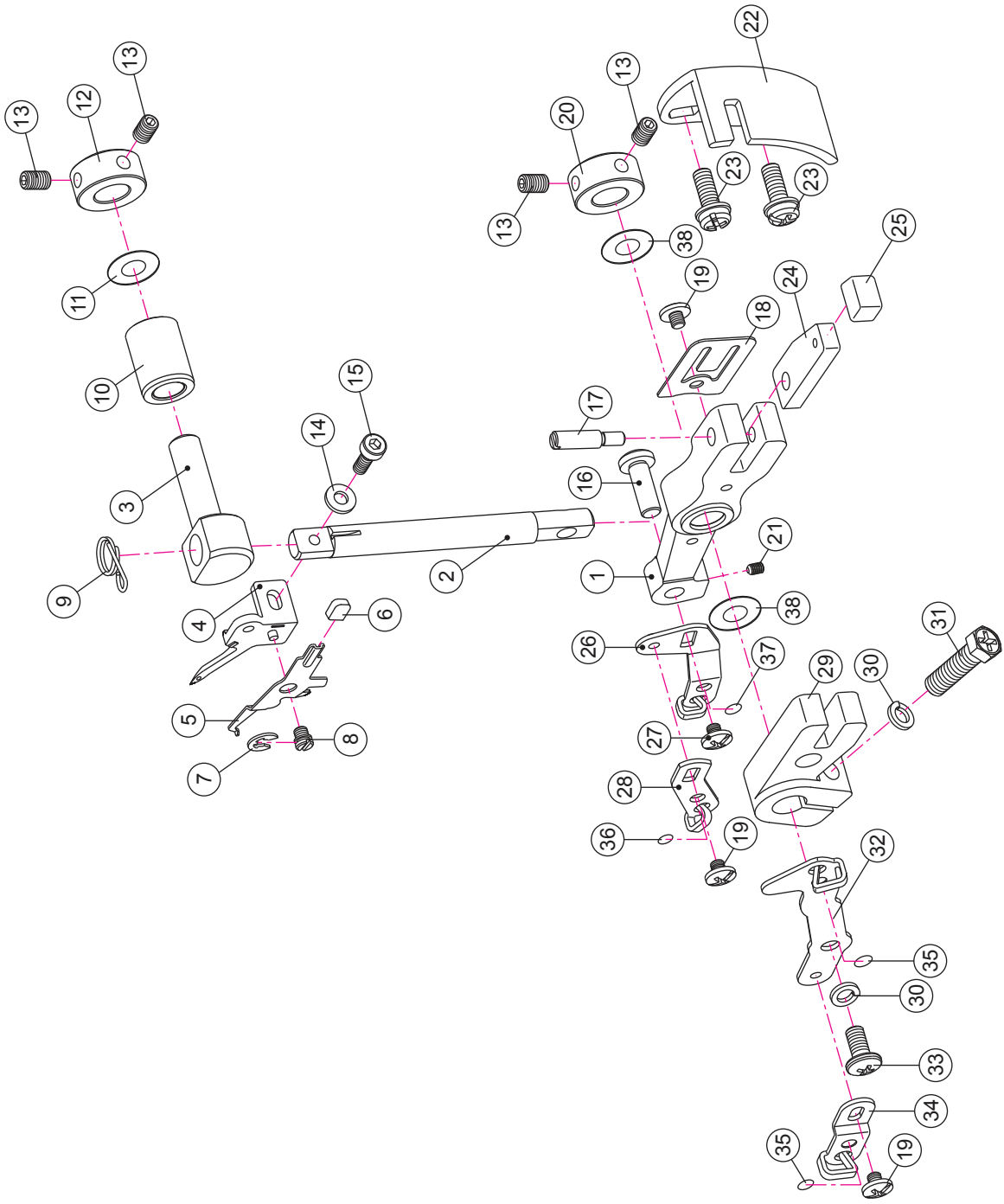
| NO. | PART NO. | DESCRIPTION |
|-----|-----------|------------------------------------|
| 1 | N/S | UPPER CUTTER CAM |
| 2 | N/S | SET SCREW |
| 3 | N/S | UPPER CUTTER SHAKE LINK |
| 4 | N/S | UPPER CUTTER SHAKE ARM |
| 5 | N/S | WASHER |
| 6 | N/S | FEED DRIVE LINK PIN (B) |
| 7 | N/S | UPPER CUTTER SHAKE ARM SHAFT |
| 8 | N/S | E RING |
| 9 | N/S | WASHER |
| 10 | N/S | SETTING COLLAR |
| 11 | 416377201 | SET SCREW |
| 12 | N/S | UPPER CUTTER LINK |
| 13 | N/S | UPPER CUTTER LINK PIN |
| 14 | N/S | E RING |
| 15 | N/S | E RING |
| 16 | N/S | UPPER CUTTER ARM SHAFT |
| 17 | N/S | WASHER |
| 18 | N/S | UPPER CUTTER ARM SUPPORT BAR |
| 19 | N/S | UPPER CUTTER ARM |
| 20 | 416364201 | UPPER CUTTER HOLDER |
| 21 | N/S | SPRING WASHER |
| 22 | N/S | WASHER |
| 23 | 416364301 | UPPER CUTTER SPRING |
| 24 | 416364401 | UPPER CUTTER SETTING COLLAR |
| 25 | N/S | UPPER CUTTER HOLDER SUPPORT |
| 26 | 416292601 | SET SCREW |
| 27 | N/S | NUT |
| 28 | N/S | UPPER CUTTER ARM SUPPORT BAR SHAFT |
| 29 | N/S | C RING |
| 30 | N/S | WASHER |
| 31 | 416377601 | SET SCREW |
| 32 | N/S | UPPER CUTTER ARM DRIVE ARM |
| 33 | N/S | UPPER CUTTER SHAKE ARM SHAFT |
| 34 | 416364601 | UPPER CUTTER |
| 35 | 416293101 | SET SCREW |
| 36 | 416381001 | UPPER CUTTER SET COVER |
| 37 | N/S | SET SCREW |



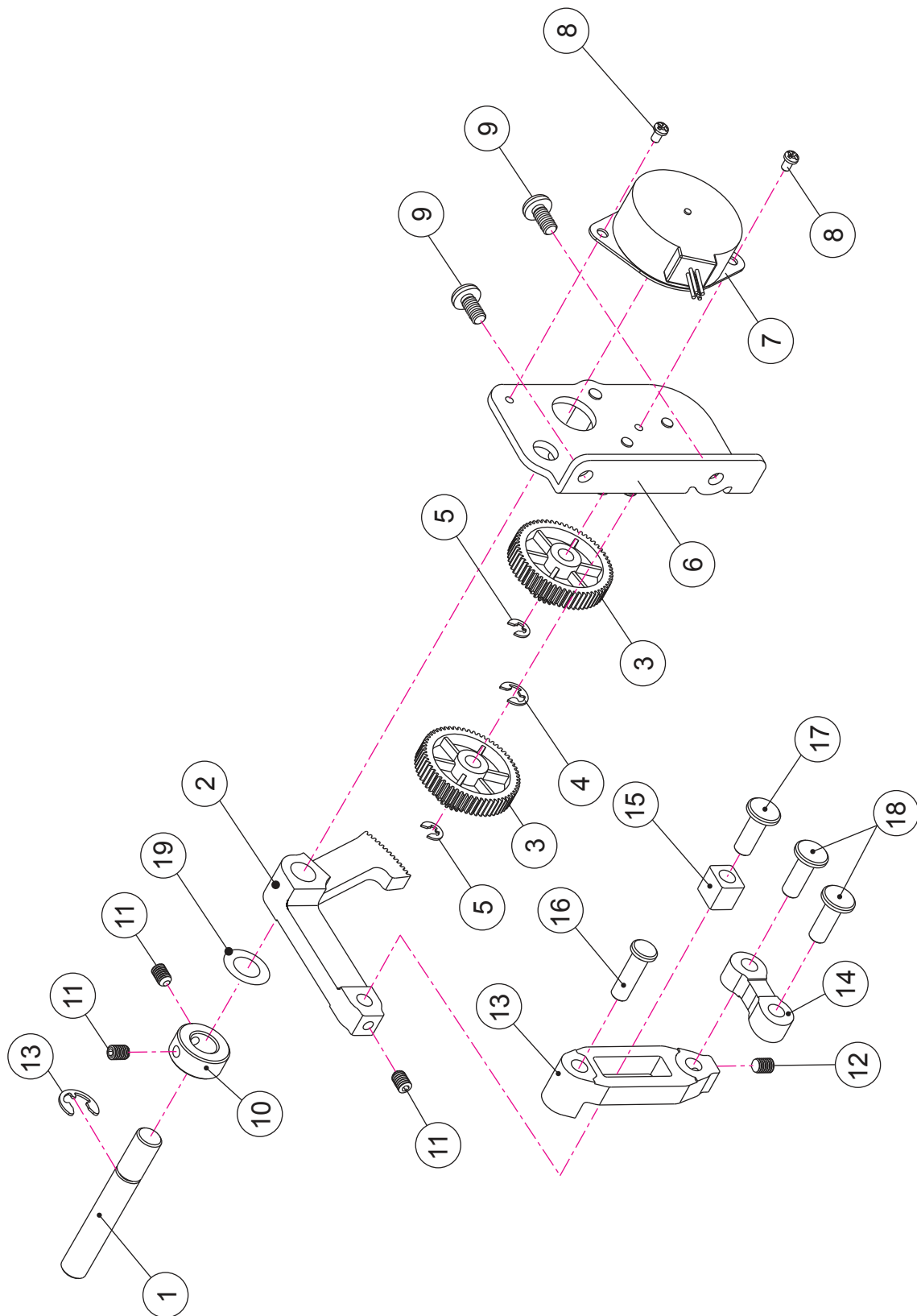
| NO. | PART NO. | DESCRIPTION |
|-----|-----------|------------------------------|
| 1 | 416364801 | HAND WHEEL CAP |
| 2 | N/S | SET SCREW |
| 3 | N/S | WASHER |
| 4 | 416364901 | HAND WHEEL |
| 5 | N/S | C RING |
| 6 | N/S | SET SCREW |
| 7 | 416365001 | FEED DRIVE LINK |
| 8 | 416365101 | FEED DRIVE LINK PIN (A) |
| 9 | N/S | FEED LINK |
| 10 | N/S | SET SCREW |
| 11 | N/S | SPRING WASHER |
| 12 | N/S | FEED DRIVE LINK PIN (B) |
| 13 | N/S | WASHER |
| 14 | 416365201 | FEED CAM SLIDE BLOCK |
| 15 | 416365301 | FEED CAM |
| 16 | N/S | FEED REGULATE HOLDER SHAFT |
| 17 | N/S | E RING |
| 18 | N/S | FEED REGULATE HOLDER BUSHING |
| 19 | 416365401 | FEED SLIDE BLOCK |
| 20 | N/S | FEED REGULATE HOLDER SET |
| 21 | N/S | SET SCREW |
| 22 | N/S | E RING |
| 23 | 416377901 | HAND WHEEL SETTING COLLAR |
| 24 | 416381101 | REDUCING SPEED GEAR |
| 25 | 416381201 | FEED SLIDE BLOCK HOLDER |
| 26 | N/S | SET SCREW |
| 27 | 416391001 | STEPPING MOTOR |



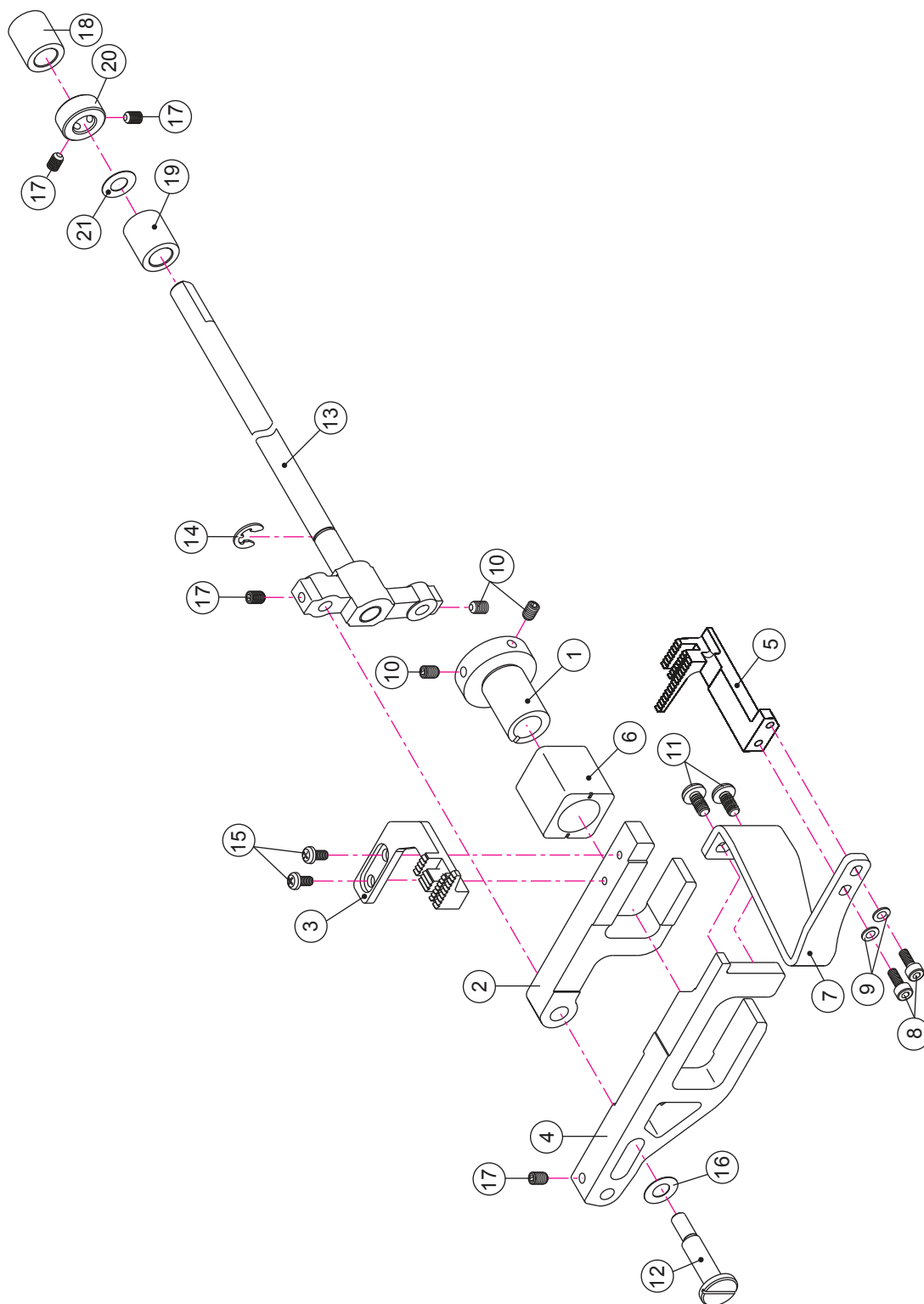
| NO. | PART NO. | DESCRIPTION |
|-----|-----------|---|
| 1 | N/S | NEEDLE BAR SETTING LINK |
| 2 | N/S | SET SCREW |
| 3 | 416365601 | NEEDLE BAR |
| 4 | 416672002 | NEEDLE CLAMP COMPLETE SET NO.3.5.6.7.8.13 |
| 5 | 416365801 | NEEDLE CLAMP THREAD GUIDE |
| 6 | N/S | NEEDLE CLAMP NUT |
| 7 | 416381401 | NEEDLE CLAMP LOWER BOARD |
| 8 | N/S | NEEDLE CLAMP UPPER BOARD |
| 9 | 416427301 | SET SCREW NEEDLE CLAMP BACK |
| 10 | 416365901 | SET SCREW |
| 11 | N/S | SET SCREW |
| 12 | N/S | SET SCREW |
| 13 | N/S | SET SCREW |
| 14 | N/S | WASHER |
| 15 | 620079596 | INSPIRA NEEDLE ELX705 #80,5 PACK |
| | 620079696 | INSPIRA NEEDLE ELX705 #90,5 PACK |
| 16 | 416377601 | SET SCREW |
| 17 | N/S | WASHER |
| 18 | 416366201 | PRESSER BAR SPRING |
| 19 | 416366301 | PRESSER BAR |
| 20 | 416366401 | PRESSER BAR SETTING LINK |
| 21 | 416390801 | PRESSER FOOT COMPLETE SET(NO.22.23.24 INCLUDED) |
| 22 | N/S | PRESSER FOOT HOLDER |
| 23 | N/S | PRESSER FOOT SPRING |
| 24 | N/S | PRESSER FOOT |
| 25 | N/S | PRESSER FOOT LIFTER SPRING |
| 26 | 416367301 | SET SCREW |
| 27 | 416367401 | NEEDLE BAR LOCATE BOARD |
| 28 | N/S | NEEDLE BAR LOCATE SUPPORT |
| 29 | N/S | NEEDLE BAR LOCATE CAM |
| 30 | N/S | NEEDLE BAR LOCATE PIN |
| 31 | 416361801 | PRESSER BAR DIAL |
| 32 | N/S | SUPPORT SETTING BOARD |
| 33 | N/S | E RING |
| 34 | N/S | E RING |
| 35 | N/S | BULB HOLDER |
| 36 | 416367601 | PRESSER FOOT LIFTER |
| 37 | N/S | E RING |
| 38 | N/S | SET SCREW |
| 39 | N/S | SET SCREW |
| 40 | 416367701 | PRESSER FOOT LIFTER HOLER |
| 41 | N/S | SET SCREW |
| 42 | 416381301 | RELEASE PLATE |
| 43 | N/S | E RING |
| 44 | 416381401 | THREAD GUIDE ATTACHED PLATE |
| 45 | 416381501 | MICRO SWITCH |
| 46 | 416381601 | SPRING |
| 47 | N/S | SET SCREW |
| 48 | N/S | LED PC BOARD HOLDER A |
| 49 | 416380701 | LED PC BOARD |



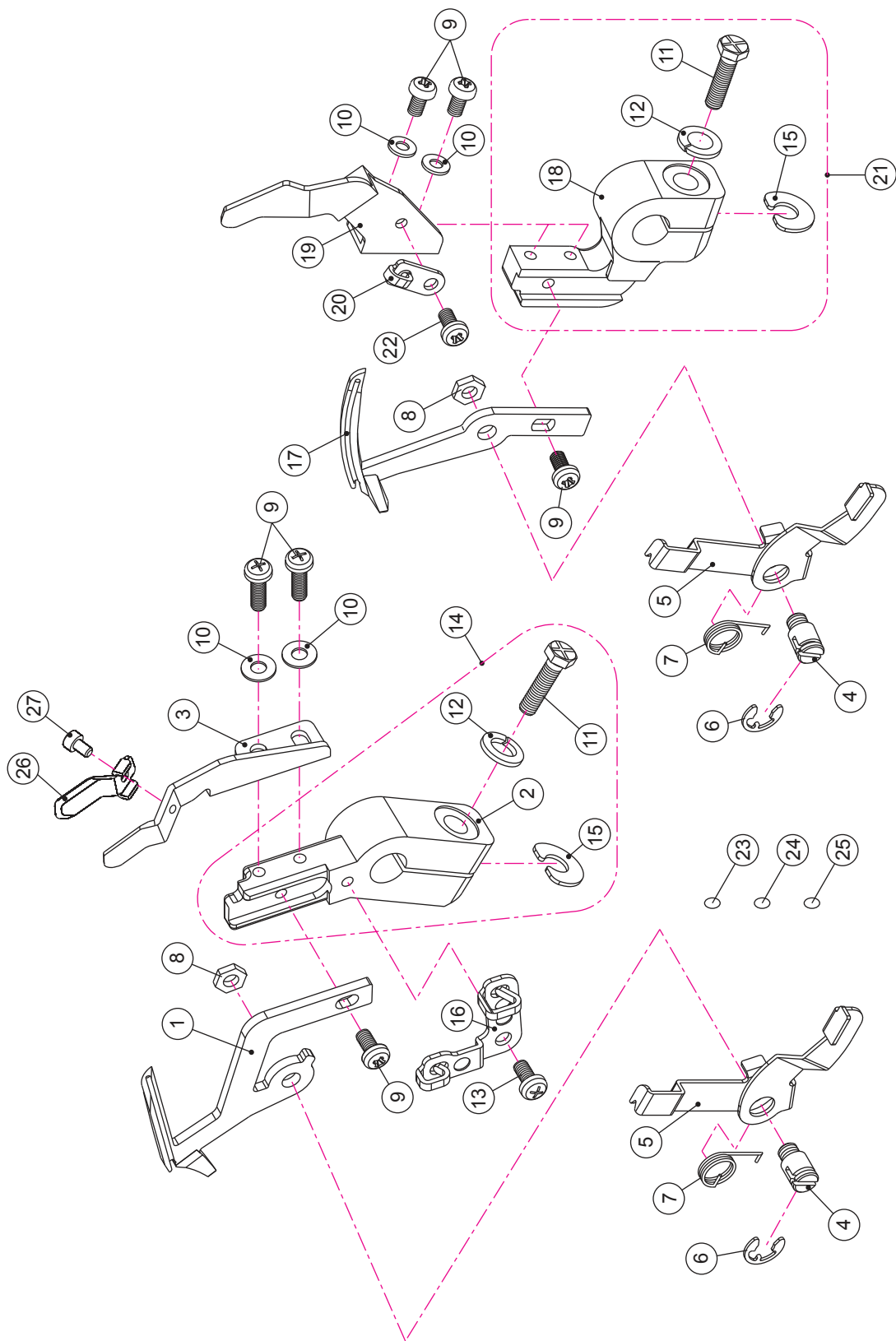
| NO. | PART NO. | DESCRIPTION |
|-----|-----------|-------------------------------------|
| 1 | N/S | UPPER LOOPER CONNECTING ARM |
| 2 | 416473001 | SLIDE SHAFT |
| 3 | N/S | SLIDE SHAFT HOLDER |
| 4 | 416367901 | UPPER LOOPER |
| 5 | 416368001 | TWO THREAD CONVERTER |
| 6 | 416362201 | STITCH FINGER LEVER |
| 7 | N/S | E RING |
| 8 | 416368101 | TWO THREAD CONVERTER SHAFT |
| 9 | 416368201 | UPPER LOOPER THREADING GUIDE |
| 10 | 416368301 | SLIDE SHAFT HOLDER BUSHING |
| 11 | N/S | WASHER |
| 12 | N/S | SETTING COLLAR |
| 13 | 416377201 | SET SCREW |
| 14 | 416368401 | WASHER |
| 15 | 416368501 | SET SCREW |
| 16 | N/S | SLIDE SHAFT PIN |
| 17 | N/S | PIN |
| 18 | 416368601 | SPRING |
| 19 | N/S | SET SCREW |
| 20 | N/S | SETTING COLLAR |
| 21 | N/S | SET SCREW |
| 22 | 416368701 | CLUTCH LOCATOR |
| 23 | N/S | SET SCREW |
| 24 | N/S | UPPER LOOPER CLUTCH LEAVER |
| 25 | 416368801 | CLUTCH LEAVER CAP |
| 26 | 416368901 | LOWER LOOPER THREAD TAKE-UP LEVER |
| 27 | 416377601 | SET SCREW |
| 28 | 416369001 | UPPER LOOPER THREAD TAKE-UP LEVER |
| 29 | N/S | UPPER LOOPER DRIVER |
| 30 | N/S | WASHER |
| 31 | N/S | SET SCREW |
| 32 | 416369101 | CHAIN LOOPER THREAD TAKE-UP LEVER D |
| 33 | N/S | SET SCREW |
| 34 | 416369201 | CHAIN LOOPER THREAD TAKE-UP LEVER E |
| 35 | N/S | COLOR STICKER (PURPLE) |
| 36 | N/S | COLOR STICKER (RED) |
| 37 | N/S | COLOR STICKER (YELLOW) |



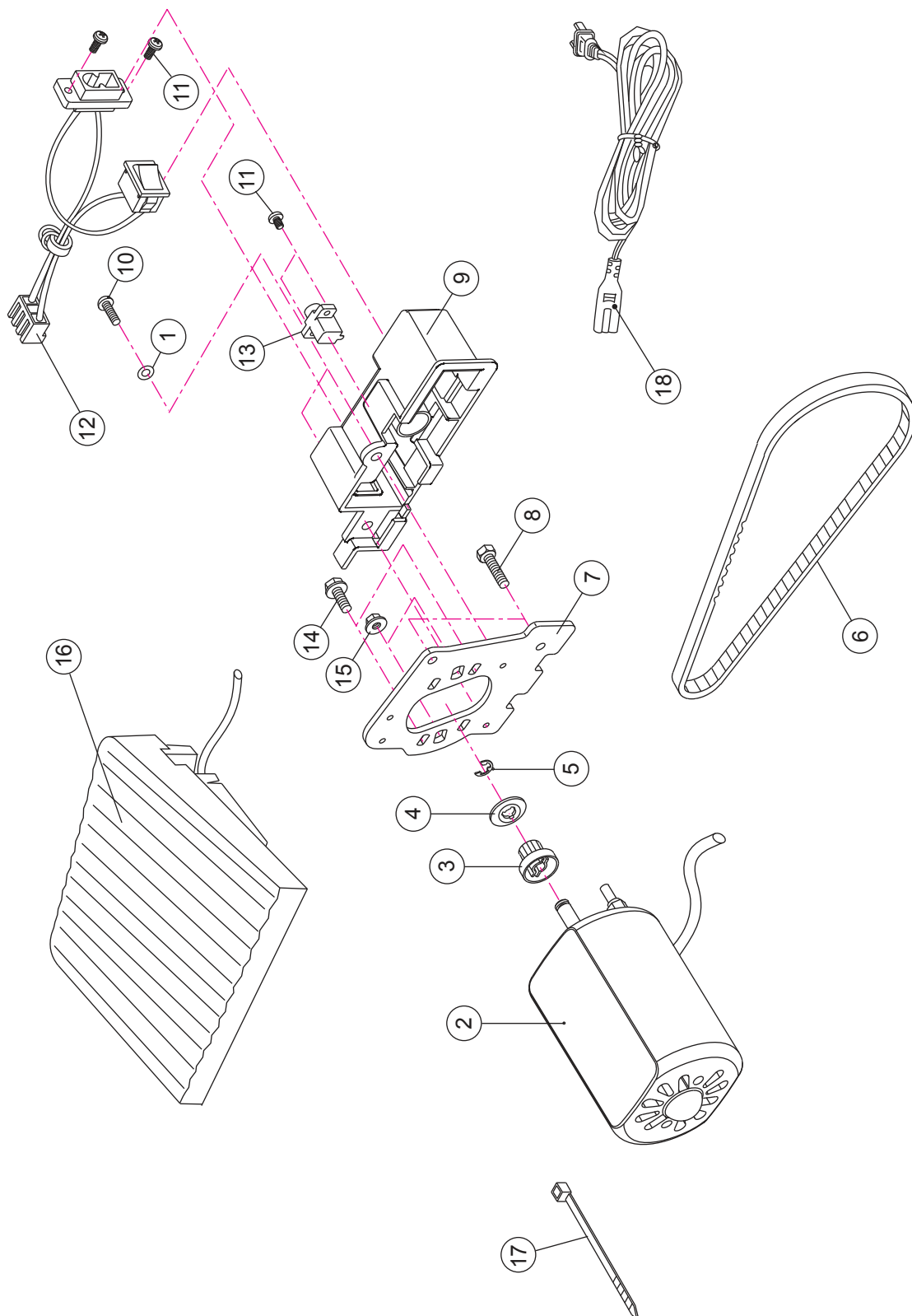
| NO. | PART NO. | DESCRIPTION |
|-----|-----------|-------------------------|
| 1 | N/S | D.F. SHAFT |
| 2 | N/S | D.F. REGULATE HOLDER |
| 3 | 416381101 | REDUCING SPEED GEAR |
| 4 | N/S | E RING |
| 5 | N/S | E RING |
| 6 | N/S | D.F. REGULATE PLATE SET |
| 7 | N/S | STEPPING MOTOR |
| 8 | N/S | SET SCREW |
| 9 | N/S | SET SCREW |
| 10 | N/S | SETTING COLLAR |
| 11 | 416377201 | SET SCREW |
| 12 | N/S | SET SCREW |
| 13 | 416369501 | D.F. SLIDE SUPPORT |
| 14 | N/S | D.F. LINK BAR |
| 15 | 416369601 | D.F. SLIDE BLOCK |
| 16 | N/S | FEED DOG HOLER PIN |
| 17 | N/S | D.F.SLIDE BLOCK PIN |
| 18 | N/S | D.F. LINK PIN |



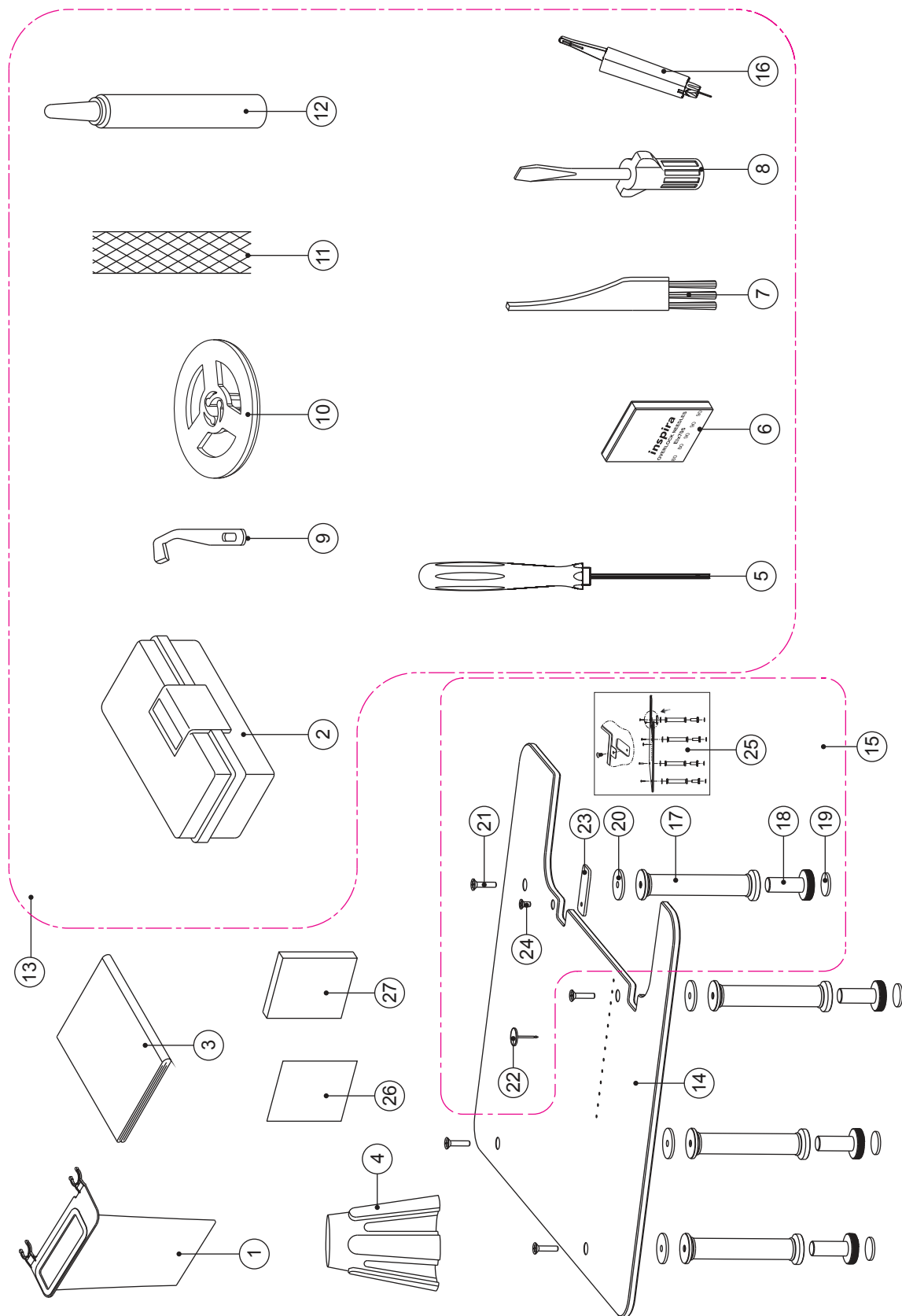
| NO. | PART NO. | DESCRIPTION |
|-----|-----------|-----------------------------------|
| 1 | 416363801 | FEED DOG CAM |
| 2 | N/S | FEED DOG HOLDER (REAR) |
| 3 | 416369901 | FEED DOG (REAR) |
| 4 | N/S | FEED DOG HOLDER (FRONT) |
| 5 | 416369801 | FEED DOG (FRONT) |
| 6 | 416363901 | FEED DOG SUPPORTER SLIDE BLOCK |
| 7 | 416370001 | FEED DOG SUPPORTER (FRONT) |
| 8 | 416368501 | SET SCREW |
| 9 | 416368401 | WASHER |
| 10 | N/S | SET SCREW |
| 11 | 416370101 | SET SCREW |
| 12 | N/S | FEED DOG HOLDER PIN |
| 13 | N/S | FEED DOG SHAKING ROD COMPLETE SET |
| 14 | N/S | E RING |
| 15 | 416369701 | SET SCREW |
| 16 | N/S | WASHER |
| 17 | 416377201 | SET SCREW |
| 18 | N/S | LOOPER SHAFT BUSHING |
| 19 | N/S | LOOPER SHAFT BUSHING |
| 20 | N/S | SETTING COLLAR |
| 21 | N/S | WASHER |



| NO. | PART NO. | DESCRIPTION |
|-----|-----------|--|
| 1 | 416370201 | LOWER LOOPER |
| 2 | N/S | LOWER LOOPER SUPPORTER |
| 3 | 416672701 | LOWER LOOPER PROTECT BOARD |
| 4 | 416370501 | AUTO THREADER SHAFT |
| 5 | 416370601 | AUTO THREADER |
| 6 | N/S | E RING |
| 7 | 416370701 | AUTO THREADER SPRING |
| 8 | 416370801 | NUT |
| 9 | 416369701 | SET SCREW |
| 10 | 416368401 | WASHER |
| 11 | N/S | SET SCREW |
| 12 | N/S | SPRING WASHER |
| 13 | 416377601 | SET SCREW |
| 14 | N/S | LOWER LOOPER SUPPORTER SET (NO.2.11.12.16 INCLUDED) |
| 15 | N/S | WASHER |
| 16 | 416371001 | LOWER LOOPER THREAD GUIDE |
| 17 | 416371101 | COVER STITCH LOOPER |
| 18 | N/S | COVER STITCH LOOPER SUPPORTER |
| 19 | 416371201 | COVER STITCH LOOPER PROTECT BOARD |
| 20 | 416371301 | COVER STITCH LOOPER THREAD GUIDE |
| 21 | 416371401 | COVER STITCH LOOPER SUPPORTER SET (NO.11.12.16.19 INCLUD- ED) |
| 22 | N/S | SET SCREW |
| 23 | N/S | COLOR STICKER (YELLOW) |
| 24 | N/S | COLOR STICKER (RED) |
| 25 | N/S | COLOR STICKER (PURPLE) |
| 26 | 416672801 | LOWER LOOPER PROTECT BOARD |
| 27 | N/S | SET SCREW |
| 28 | N/S | COVER STITCH LOOPER PROTECT BOARD SET (NO. 20.26 INCLUD- ED) |



| NO. | PART NO. | DESCRIPTION |
|-----|-----------|-------------------------------|
| 1 | N/S | WASHER |
| 2 | 416371701 | MOTOR (120V) |
| 2 | 416381701 | MOTOR (230V) |
| 3 | 416371901 | TIMING BELT PULLEY |
| 4 | 416372001 | TIMING BELT PULLEY COVER |
| 5 | N/S | E RING |
| 6 | 416372101 | TIMING BELT |
| 7 | N/S | MOTOR SUPPORTER |
| 8 | N/S | SET SCREW |
| 9 | N/S | SWITCH SUPPORTER |
| 10 | N/S | SET SCREW |
| 11 | 416377401 | SET SCREW |
| 12 | 416381801 | SWITCH (120V) |
| 12 | 416391901 | SWITCH (230V) |
| 13 | 416381901 | FOOT CONTROL SWITCH (120V) |
| 13 | N/S | FOOT CONTROL SWITCH (230V) |
| 14 | N/S | SET SCREW |
| 15 | N/S | NUT |
| 16 | 412991403 | FOOT CONTROLLER |
| 17 | N/S | HW (1/4) CORD CLIP |
| 17 | N/S | HW (5/16) CORD CLIP FOR 120V) |
| 18 | N/S | SET SCREW |
| 19 | N/S | CORD CLIP |
| 20 | 412157801 | POWER CORD 220V |
| 20 | 412157902 | POWER CORD 120V JAP |
| 20 | 412157903 | POWER CORD 120V |
| 20 | 412158002 | POWER CORD UK |
| 20 | 412158101 | POWER CORD AUS |



| NO. | PART NO. | DESCRIPTION |
|-----|-----------|---|
| 1 | 416383301 | WASTE CATCHER |
| 2 | 416383401 | ACCESSORY BOX |
| 3 | 416383701 | DUST COVER |
| 4 | 416360701 | SPOOL HOLDER |
| 5 | 411668901 | ALLEN SCREW DRIVER |
| 6 | 620079596 | INSPIRA NEEDLE ELX705 #80,5 PACK |
| | 620079696 | INSPIRA NEEDLE ELX705 #90,5 PACK |
| 7 | 401555501 | CLEANING BRUSH |
| 8 | 412381501 | SCREW DRIVER |
| 9 | 416364601 | UPPER CUTTER |
| 10 | 416383801 | THREAD UNWINDING SPOOL CAPS |
| 11 | 416383901 | ANTI-SPILL NETS |
| 12 | N/S | OILER |
| 13 | N/S | ACCESSORY BOX SET (NO.2.5.6.7.8.9.10.11.12.16 INCLUDED) |
| 14 | 416384201 | PFAFF EXTENSION TABLE SET (NO.14.26.27 INCLUDED) |
| 15 | 416384001 | EXTENSION TABLE ACCESSORIES SET (NO.17.18.19.20.21.22.23.24.25 INCLUDED) |
| 16 | 416384101 | NEEDLE THREADER |
| 17 | N/S | EXTENSION TABLE LEG |
| 18 | N/S | EXTENSION TABLE LEG SCREW |
| 19 | N/S | BUBBER (UP) |
| 20 | N/S | BUBBER (BOTTOM) |
| 21 | N/S | SET SCREW |
| 22 | N/S | GUIDE PIN |
| 23 | N/S | METAL GUIDE HOLDER |
| 24 | N/S | SET SCREW |
| 25 | N/S | EXTENSION TABLE ASSEMBLY ILLU. |
| 26 | N/S | BAG |
| 27 | N/S | EXTENSION TABLE CARTON |

OPTIONAL

ACCESSORIES

| | |
|-----------|-------------------|
| 620086596 | ELASTIC FOOT |
| 620086696 | BEADING FOOT |
| 620086796 | PIPING FOOT |
| 620086896 | TAPING FOOT |
| 620086996 | BLINDHEM FOOT |
| 412397701 | THREAD NET 15X100 |
| N/S | THREAD NET 30X100 |